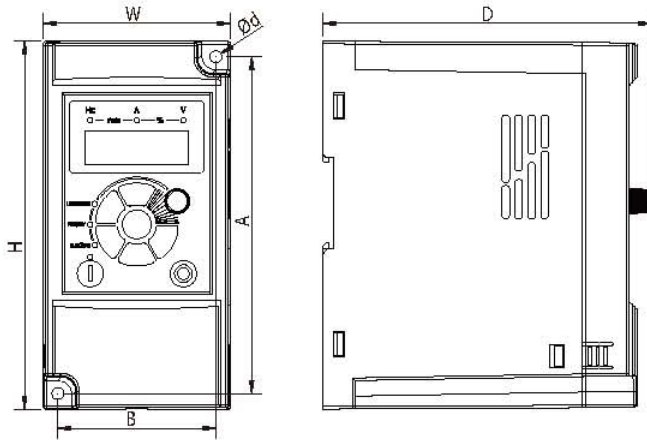
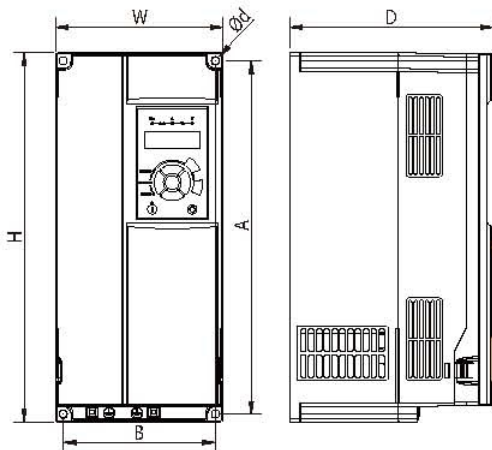


1-3 Installation

SIZE A



SIZE B

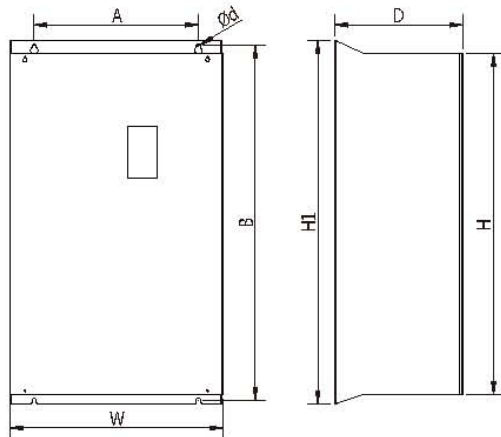


SIZE	Model	W	H	D	A	B	Φd
A	AT20-00R4G2 (V/F)	72	142	127	130	61	4.5
	AT20-00R7G2 (V/F)						
	AT20-01R5G2 (V/F)						
	AT20-02R2G2 (V/F)						
	AT20-00R7G4 (V/F)						
	AT20-01R5G4 (V/F)						
	AT20-02R2G4 (V/F)						
A	AT20-00R4G2	72	142	127	130	61	4.5
	AT20-00R7G2						
	AT20-01R5G2						
	AT20-00R7G4						
	AT20-01R5G4						
	AT20-02R2G4						

Operation Instruction of AT20 Series Inverter

SIZE	Model	W	H	D	A	B	Φd
A	AT20-02R2G2 AT20-03R7G2 AT20-03R7G4 AT20-05R5G4	85	180	131	167	72	5.5
B	AT20-05R5G2 AT20-07R5G4 AT20-011G4	106	240	168	230	96	4.5
B	AT20-07R5G2 AT20-015G4 AT20-018.5G4 AT20-022G4	151	332	183	318	137	7
B	AT20-030G4 AT20-037G4	217	400	216	385	202	7

SIZE C



SIZE	Model	W	H	H1	D	A	B	Φd
C	AT20-045G4 AT20-055G4 AT20-075P4	300	440	470	240	200	455	9
C	AT20-075G4 AT20-090G4 AT20-110G4	275	590	630	310	200	612	9
C	AT20-132G4 AT20-160G4	400	675	715	310	320	695	11